
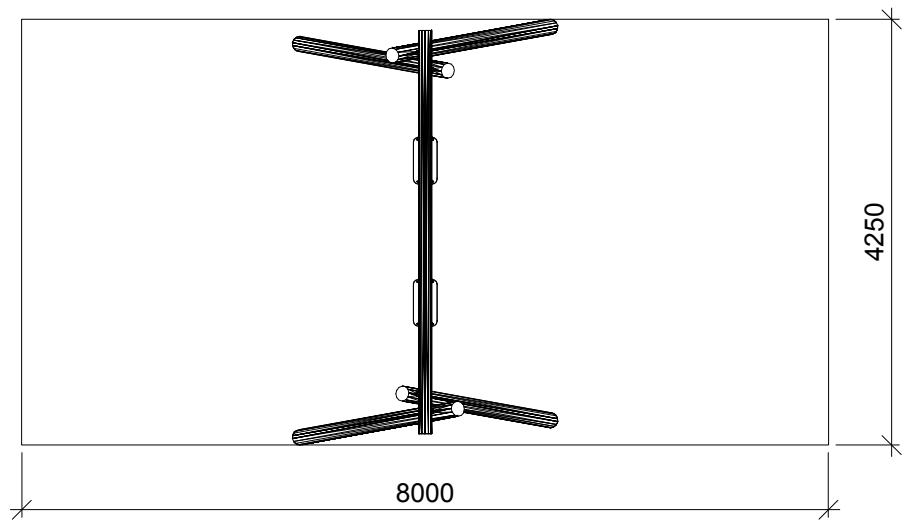
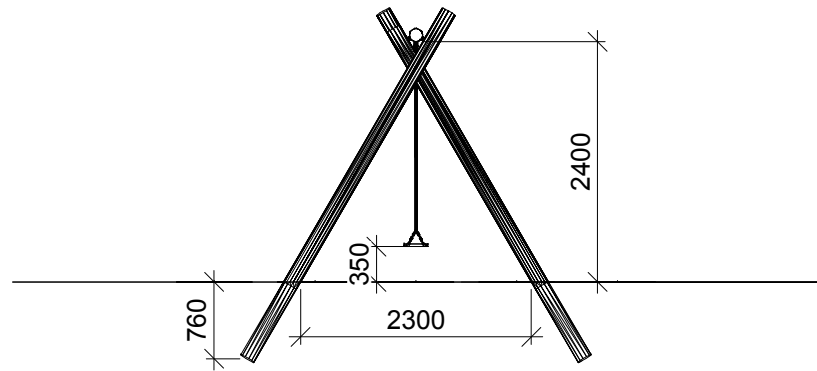
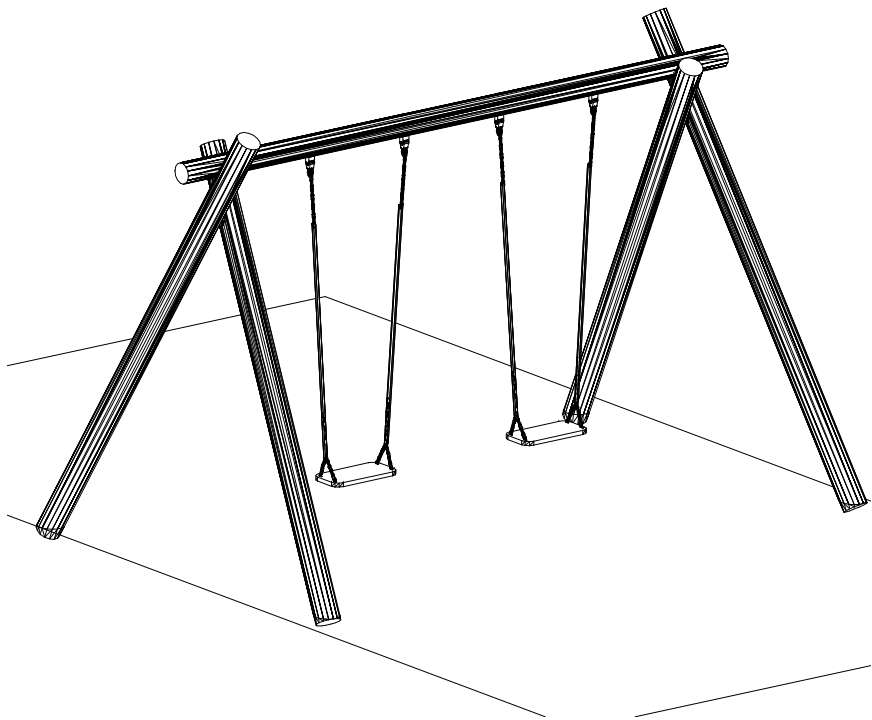


NORLEG	
Robinia gynges A	
LE 20201	
24.02.2011	REV. E: 13.07.2015

< 1500



≥ EN 1176



1:75

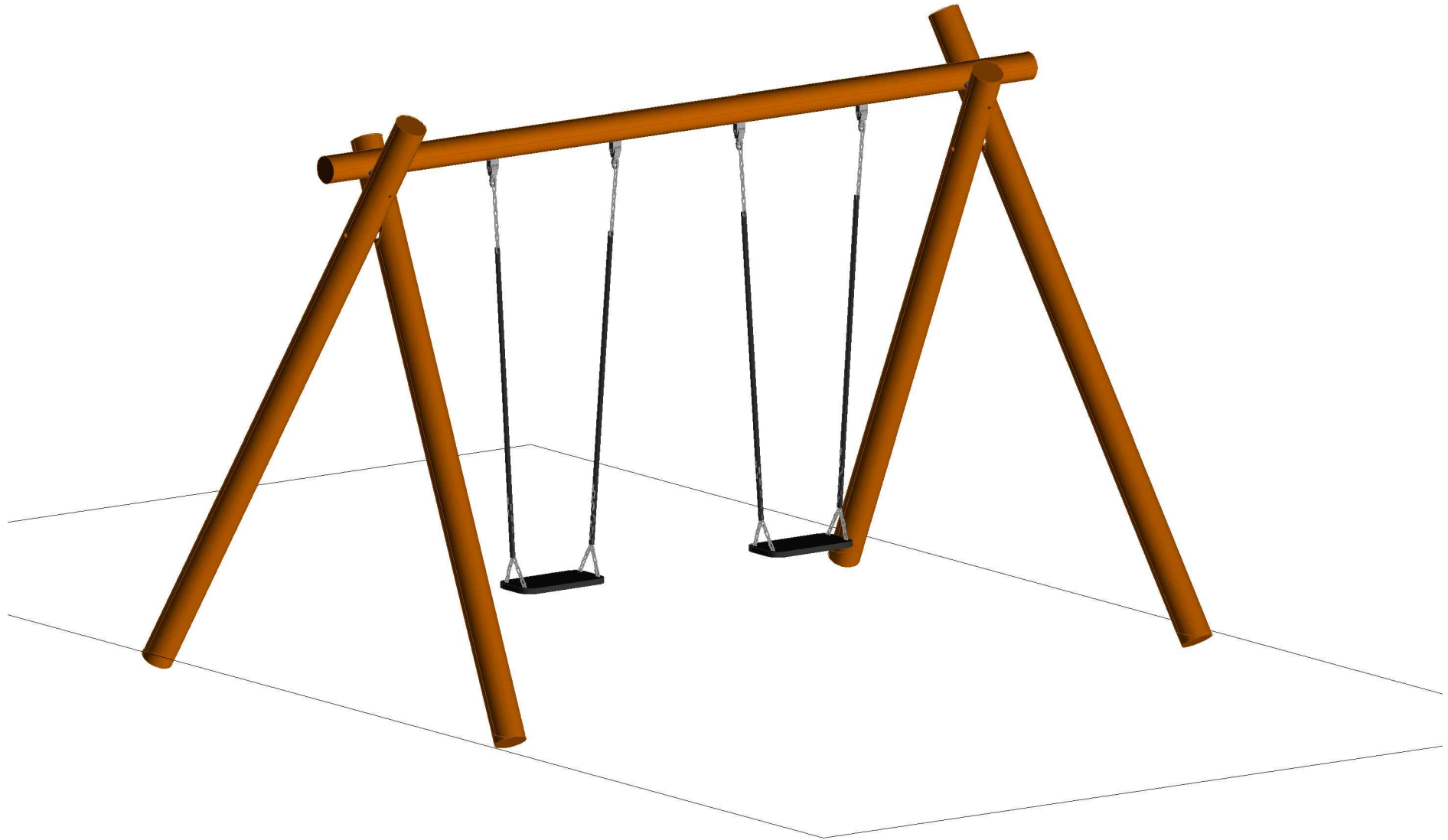
NORLEG - 3D

Robinia gyngje A

LE 20201


24.02.2011

REV. E: 13.07.2015

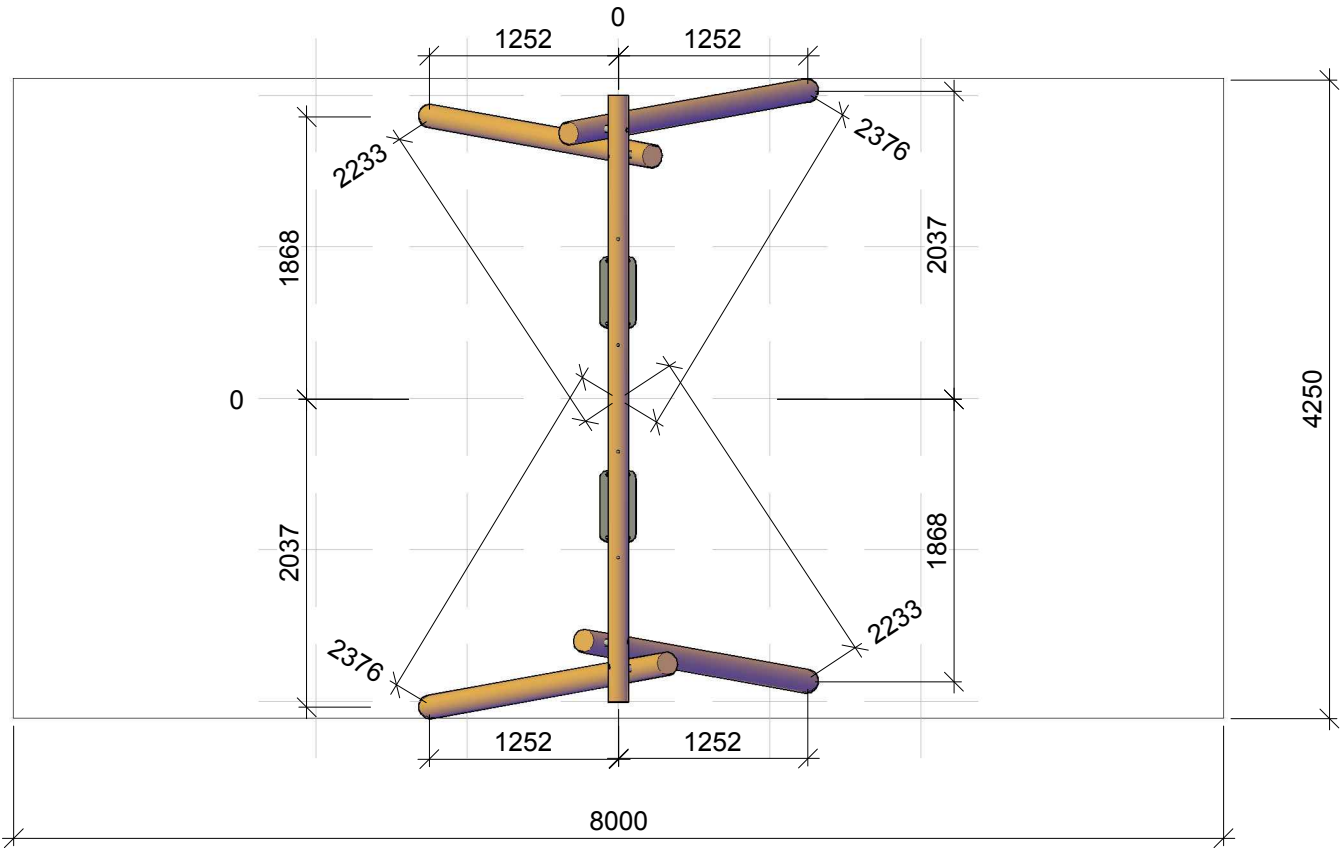


NORLEG - Mont.	
Robinia gynge A	
LE 20201	
24.02.2011	REV. E: 13.07.2015

< 1500



≥ EN 1176




1:50

This drawing is the property of NORLEG and pursuant to current legislation may not be copied, transferred to or used by any third party. Should this drawing be used, a fee of 10% of the assumed contract price will be charged.

NORLEG - Mont.	
Robinia gynge A	
LE 20201	
24.02.2011	REV. E: 13.07.2015

< 1500

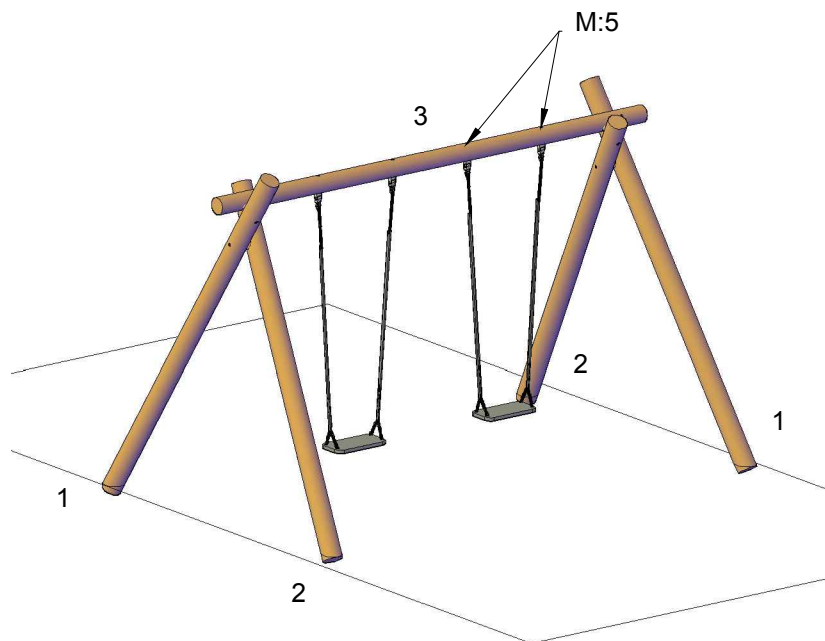
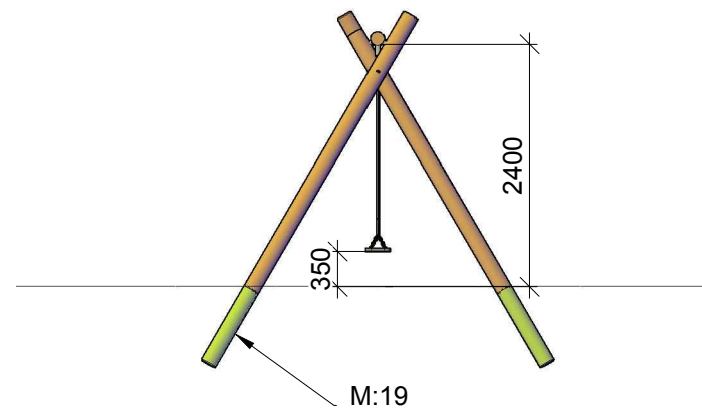
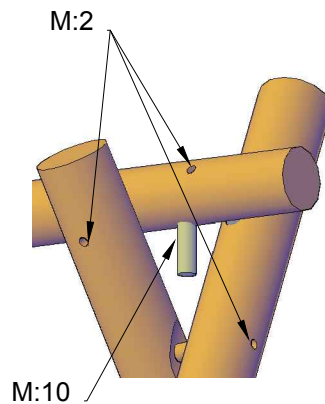


≥ EN 1176

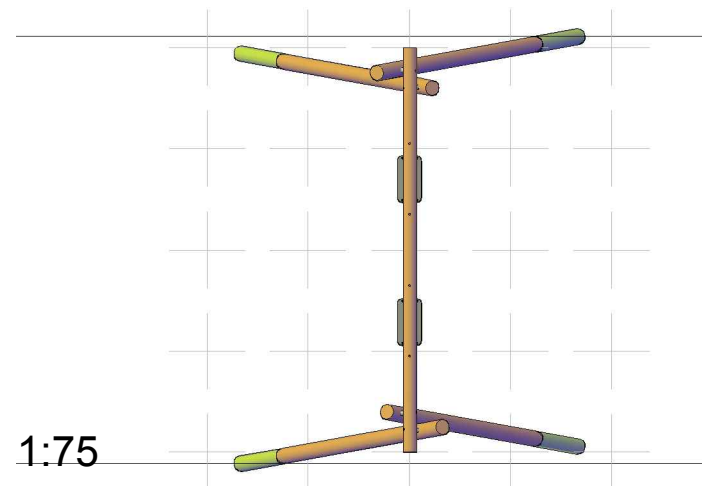
Mont.p. nr.

- M:2
- M:5
- M:10
- M:19

Parts list		
Mrk.	QTY	Part.no
1	2	160-180-4000
2	2	160-180-3800
3	1	140-160-4000



1:75



1:75